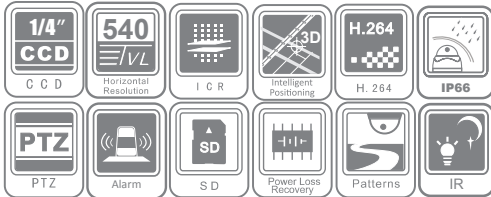


# DS-2DF1-714

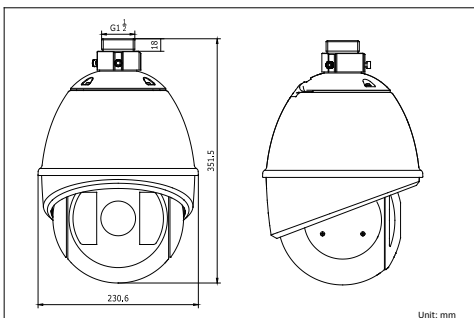
## IR Network High Speed Dome



### Key features

- 1/4" Sony Super HAD CCD
- H.264 video compression
- High resolution of 540TVL (Color) / 600TVL (B/W)
- True day/night, Digital WDR, 3D DNR
- 23x/30x/36x Optical Zoom, 16x Digital Zoom
- 3D intelligent positioning function
- 80m IR Distance
- IP66 Weatherproof

### Dimensions



### Accessories



DS-2DF1-714 (outdoor)	
<b>Camera</b>	
Image sensor	1 / 4" Sony Super HAD CCD
Effective pixel	PAL: 752 (H) × 582 (V), NTSC: 768 (H) × 494 (V)
Horizontal resolution	Color: 540 TVL, B / W: 600 TVL
Signal system	PAL / NTSC
Min.illumination	Color: 0.2 lux@F1.6, B / W: 0.02 lux@F1.6, 0 lux with IR
White balance	Auto / manual / ATW / indoor / outdoor
AGC	Auto / manual
S / N ratio	≥ 50dB
BLC	On / off
Shutter time	PAL: 1 / 50 ~ 1 / 10,000s, NTSC: 1 / 60 ~ 1 / 10,000s
Day & night	IR cut filter
Optical zoom	16x
Privacy mask	24 privacy masks programmable
Focus model	Auto / semi-automatic / manual
<b>Lens</b>	
Focal length	3.84 ~ 88.4mm, 23x
Zoom speed	Approx.5.1s (optical Wide-Tele)
Angle of view	52.2 ~ 2.36° (Wide-Tele)
Min. working distance	10 ~ 1,200mm (Wide-Tele)
Aperture range	F1.6 ~ F4.5
<b>Pan and tilt</b>	
Pan range	360° endless
Pan speed	Pan manual speed: 0.1° ~ 160° / s, pan preset speed: 240° / s
Tilt range	-10° ~ 90° (auto flip )
Tilt speed	Tilt manual speed: 0.1° ~ 120° / s, tilt preset speed: 200° / s
Proportional zoom	Rotation speed can be adjusted automatically according to zoom multiples
Number of preset	256
Patrol	8 patrols, up to 32 presets per patrol
Pattern	4 patterns, with the recording time not less than 10 min per pattern
Power-off memory	Support
Park action	Preset / patrol / pattern / pan scan / tilt scan / random scan / frame scan / panorama scan
PTZ position display	On / Off
<b>Infrared</b>	
IR irradiation distance	80m
IR irradiation angle	Adjustable by zoom
<b>Alarm</b>	
Alarm input	2 (7 alarm inputs optional)
Alarm output	2 relay outputs, alarm response actions configurable
Alarm action	Preset, patrol, pattern, SD / SDHC card recording, relay output, notification on client
<b>Input/output</b>	
Monitor output	1.0V[p-p] / 75Ω, NTSC (or PAL) composite, BNC
Audio input	Audio input (LINE input), 2-2.4V[p-p]; output impedance: 1KΩ, ±10%
Audio output	Line level, impedance: 600Ω
<b>Network</b>	
Ethernet	10 base-T / 100 base-TX, RJ45 connector
Max.image resolution	PAL:704 × 576, NTSC:704 × 480
Frame rate	PAL: 25 fps (704 × 576), NTSC: 30 fps (704 × 480)
Image compression	H.264
Audio compression	G.711 / 16 kbps
Protocols	TCP / IP, HTTP, DHCP, DNS, RTP / RTCP, RTSP, PPPoE, SMTP, NTP (FTP, SNMP optional )
No. of simultaneous users	Up to 6 users
Dual streams	Support
Mini SD memory card	Manual REC / alarm REC. Built-in SD / SDHC slot, up to 32GB
User / Host level	3 levels: administrator, camera control, live view only
Security measures	User authentication (ID and PW), host authentication (MAC address)
<b>Client GUI</b>	
Camera control	Pan / tilt, zoom, focus, click centering, drag zoom, iris, preset position call and program, auto mode.
Camera name	Up to 18 characters
Date & Time display	Time: week: date, 6 formats on the client
Reading patrol message	Display and reading of preset message contained in each patrol via client software
<b>General</b>	
Menu language	English, Chinese
RS-485 protocols	HIKVISION, Pelco-P, Pelco-D, self-adaptive
Power supply	24V AC (12V DC optional)
Power consumption	Max.50 W
Working temperature / humidity	-30 °C ~ 65 °C (-22 °F ~ 149 °F), 90% or less
Protection level	IP66 standard, TVS 3,000V lightning protection, surge protection and voltage transient protection
Mounting	Various mounting modes optional
Dimensions	Φ 230.6 × 351.5mm Φ 9.08" × 13.84"
Weight (approx.)	5.5kg (12.13lbs)